



Original Instructions

SR72 SPORTS TURF ROLLER MANUAL

Contents

Revised 13/MAR/2013

The products detailed in this manual conform to the following standards:
Machinery Directive 2006/EC Annex VIII,
EMC Directive 2004/108/EC / Article 10.1 & EN ISO 4254-1:2009
CE Declaration is available on the Tru-Turf website.

MACHINE INFORMATION RECORD	1
SAFETY INFORMATION	2
WARRANTY	3
ASSEMBLY	5
List of components	5
Assembly procedure.....	5
Attaching a tractor	5
OPERATION	6
Rolling only	6
To spike the field surface.....	6
To engage the rolling position.....	6
GENERAL ASSEMBLY, LINKAGE & MAIN PARTS	7
UPPER ASSEMBLY PARTS	8
LOWER ASSEMBLY PARTS	9
SPIKER GENERAL ASSEMBLY	10
SPIKER PARTS	11
SAMPLE FORMS	12
NOTES & BULLETINS	14



Machine Information Record

Congratulations on your investment in the SR72 Sports Turf Roller and your move to smoother, faster, more consistent sports fields reducing the possibilities of injury. The following operation and maintenance manual has been prepared for use with the Tru-Turf Equipment SR72 Sports Roller. It is intended as a guide and supplemental updates to the manual may take place at a future date, without prior notice.

This roller is engineered to be simple to operate and easy to maintain. (If you have any questions or concerns that this manual does not address, please feel free to contact your distributor.)

This light weight roller is designed to be used on a regular basis to iron out ground imperfections. The offset rollers in this machine are unevenly spaced to ensure when the roller is used regularly that it will only continue to true and smooth the surface without compacting the ground. Single style rollers will exasebate a problem where Tru-Turf SR72 does not.

Distributor Information

Name: _____

Address: _____

Telephone: _____

Fax: _____

Email: _____

Machine Information

Model. **SR72 Sports Turf Roller**

Serial No. _____

Purchase Date No. _____

Safety Information

Safety Information

Safety is of the utmost importance when operating this equipment.

To ensure safe operation of the SR72 Sports Turf Roller, please follow the following safety guidelines.

- Always make a pre-operation inspection. If this procedure is not carried out damage to property or personnel may occur.
- Keep children, pets and inexperienced personnel away from the machine. This machine should only be operated by trained and skilled personnel - check with your supervisor if you are unsure.
- Never permit inexperienced operators to use the machine. This machine requires certain knowledge and expertise to operate it; you must be a trained person to use this machine. Unskilled persons can harm themselves and others if they operate this machine.
- When operating, always keep hands and loose clothing away from rollers and blade area. If hair, clothing or loose objects become entangled on a rotating shaft serious bodily injury could occur.

Operator, remember it is your responsibility to be aware of your surroundings. To avoid accidents, think safe and operate safe.

Warranty

Universal Conditions

Tru-Turf Pty. Ltd. (Tru-Turf) will repair or replace any item or part of a Tru-Turf Golf Greens Roller that is defective in workmanship or material for a period of twenty four (24) months or unless otherwise stated, from the date of delivery of the new product to the original end user. Items identified as warrantable will be repaired or replaced by an approved Tru-Turf Dealer.

Products Protected By This Warranty

This Warranty relates to the following products manufactured by Tru-Turf, listed by model series;

- a. GR, RS, RB, R52 Series Golf Greens Rollers.
- b. TR66 Series Triplex Roll 'n' Spike heads and mower attachment hardware.
- c. SR72 Sports ground roller.
- d. MT5000 Series Totes are covered for a period of twelve (12) months.

Ensure that your Dealer has completed and submitted the Online Warranty Registration and Inspection Report Form applicable to your unit.

This will ensure that it has been sent directly to Tru-Turf for registration.

Parts Warranted by OEM Suppliers to Tru-Turf

Specific component parts supplied to Tru-Turf Pty. Ltd. by OEM suppliers are covered by that supplier's Warranty. These parts and components include Eaton Transmissions, Honda Engines, Sevcon & Curtis Controllers & Foot Pedals, Falk Gearboxes & Electric Motors. **Only Tru-Turf manufactured parts qualify for the twenty four (24) month warranty.**

Normal Wear and Tear

Tru-Turf will not repair or replace parts that are subject to normal wear and tear and or that are subject to regular maintenance intervals as specified in the product Operator's Manual. These parts include, but are not limited to, oils, filters, tyres, shafts, bearings, blades, spikers, slicers, brakes, belts, hoses, spark plugs, drive chains, sprockets, drive rollers & smoothing rollers.

Other Items Not Covered By This Warranty.

Tru-Turf will not repair or replace any item that has been damaged by accident, lack of reasonable care and protection or lack of suitable storage.

Tru-Turf will not warrant parts that have been altered or modified, nor aftermarket parts fitted without written Tru-Turf approval. Tru-Turf will not warrant used parts that are installed in place of failed parts.

Tru-Turf will not warrant parts that have not been installed by an approved Tru-Turf dealer, nor will Tru-Turf warrant parts that have not been maintained per the Operator's Manual.

The product is to be made available for Warranty repairs at the approved Tru-Turf dealer's premises or by arrangement with the approved dealer.

Service calls, overtime-labour rates and freight costs related to the return of the faulty product to Tru-Turf or its agents are not included.

Tru-Turf shall not be liable for any consequential loss, damage or costs incurred by or incidental to the failure of any new part supplied with the original purchase or any new part supplied as a replacement for any failed part.

Ensure that your Dealer completed and submitted the Online Warranty Registration and Inspection Report Form applicable to your unit. This will also ensure that it has been sent directly to Tru-Turf for registration.

This record must be referred to along with the reasons why the purchaser believes that the product or a part is defective in the categories of faulty material or workmanship.

Acceptance or rejection of the Warranty Claim is entirely at the discretion of Tru-Turf or their OEM Suppliers who warrant their own part/s.

The Warranty Registration and Inspection Report Form along with the TRU-TURF Pty. Ltd. Warranty Terms & Conditions statement are available for viewing, download or printing as a ready reference by simply clicking the link provided on our website.

The Warranty Registration and Inspection Report Form must be signed by both the Dealer Rep and the Customer and returned or any warranty claim/s will be denied.

No person or organisation has the authority to modify the terms or conditions or limitations of this Warranty without the written consent of Tru-Turf.

Assembly

Initial Assembly

When you receive the crate, the machine will be broken down into components ready for assembly. If you run into any problems during assembly, please feel free to call your local distributor or agent.

List Of Components

QTY	Description
1	Operation, Maintenance and Parts Manual
1	Machine Body
2	Weight Bracket Plates
1	Chain Pivot Bracket
2	Weight Brackets
7	Link Pins ($\frac{7}{8}$ ")
4	Washers ($\frac{1}{2}$ ")
1	Chain
1	3 Point Linkage Top Bracket
7	Locking Pins
2	Bolts ($\frac{3}{8}$ x 1" UNF and Nuts)
4	Bolts ($\frac{3}{4}$ x 2" UNC)
4	Washers ($\frac{1}{2}$ " Spring)
4	Bolts ($\frac{1}{2}$ x $1\frac{3}{4}$ " UNF)

Assembly

Assembly Procedure

Step 1.

Remove components from crate.

Step 2.

Bolt the three point linkage top bracket onto the body using $\frac{3}{4}$ " x 2" bolts and $\frac{3}{4}$ " spring washers. (Note this bracket will only fit one way).

Step 3.

Using 2 by $\frac{7}{8}$ " link pins and 2 by $\frac{7}{16}$ " locking pins attach chain to chain pivot bracket as per diagram on page 7.

If Required

Step 4.

Bolt the two weight carrying brackets on the top of the roller on the outer ends, ensure they are facing the correct way.

Step 5.

First slide the weight bars into the outer brackets, then slide the other end into the slot on the 3 point linkage. Ensure the locking slot drops down and into place correctly. Put the $\frac{3}{8}$ " x 1" UNF bolts and nuts in the weight bars at the 3 point linkage end, screw the nut on firmly to stop it vibrating off. This prevents the weight bar sliding out of position.

Step 6.

As a option tractor out front weights can be mounted on these weight bars to increase roller weight if required. It is advisable to place the weights equally on either side.

Step 7.

Remember increasing the roller weight also means that a larger tractor is required to lift and carry the roller or add additional wheel weights to the tractor to avoid the possibility of the tractor raring or tipping over causing a accident and possible injury to personnel.

Attaching A Tractor

Important: The Tractor must be of a size that will be able to lift the roller unit (700Kg / 1543lb) without tipping backwards.

Consideration must also be given to the size of the Tractor if the optional additional weights (20Kg / 44lb each), up to 20 can be added, will be added to the roller unit.

If possible, it is suggested that fitting a counter weight to the front of the Tractor will help to prevent the Tractor tipping backwards.

Step 1.

Using 2 by $\frac{7}{8}$ " link pins and 2 by $\frac{7}{16}$ " locking pins attach the three point linkage arms to the bottom bracket holes on the body of the roller.

Step 2.

Attach chain pivot bracket to the top bracket, keep the bracket close to vertical.

Step 3.

Attach one end of chain to the chain pivot bracket using $\frac{7}{8}$ " link pins, fasten with locking pin.

Step 4.

Attach the other end of chain to the three point linkage, use the top bracket hole leave enough slack so that when the roller is raised the front roller is approximately 5" off the ground before the rear roller leaves the ground. This will ensure the roller follows the ground contours at all times.

Operation

Rolling Only

Rolling can be done at speeds of up to 12mph (19kph). Best results are achieved when there is a moisture content in the ground.

To Spike The Field Surface

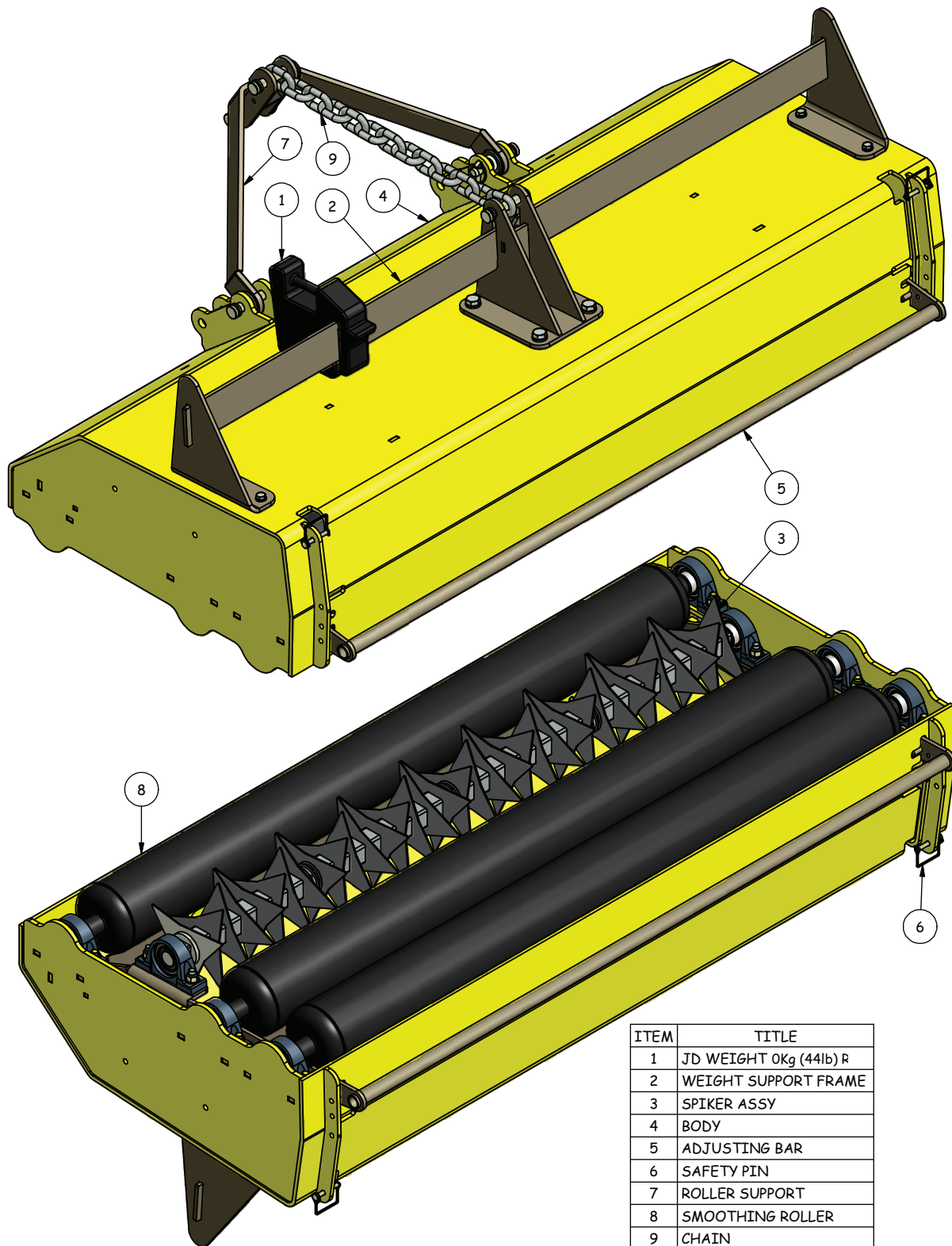
With the roller in the raised position, engage the spiker blades by using the black handle across the rear of body. Remove locking pins and push handle away from you. Select the 1" (2.5cm), 1½" (3.8cm) or 2" (5cm) depth setting as required. Pull towards yourself and replace locking pins. These pins prevent the black handle from disengaging when reversing only.

To Engage The Rolling Position

With tractor moving forward slowly lower roller to ground, then accelerate to the desired rolling speed.

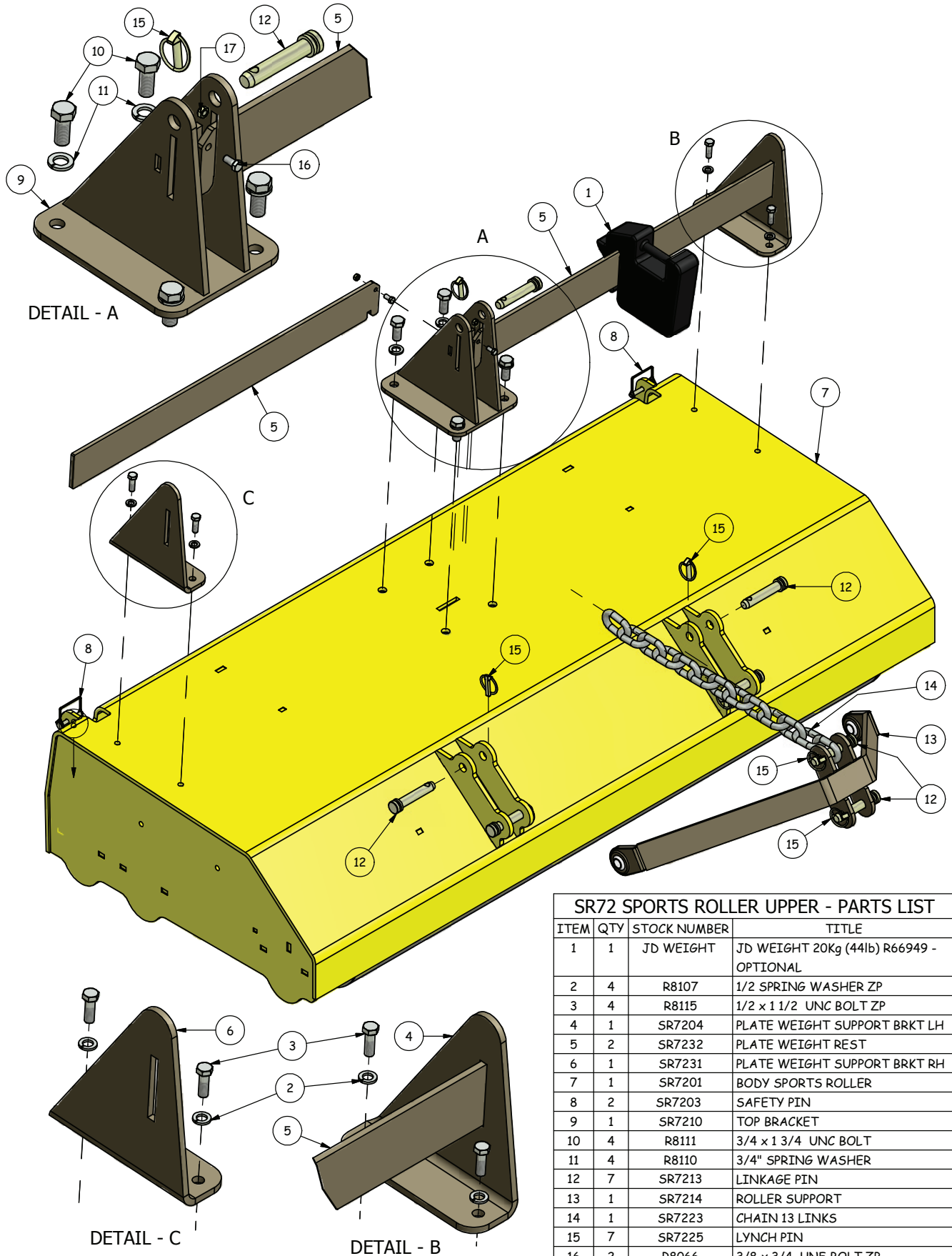
Important: Do not turn sharp whilst spiking the fields or tearing of the grass may occur.

Roller Components



ITEM	TITLE
1	JD WEIGHT 0Kg (44lb) R
2	WEIGHT SUPPORT FRAME
3	SPIKER ASSY
4	BODY
5	ADJUSTING BAR
6	SAFETY PIN
7	ROLLER SUPPORT
8	SMOOTHING ROLLER
9	CHAIN

Roller Components



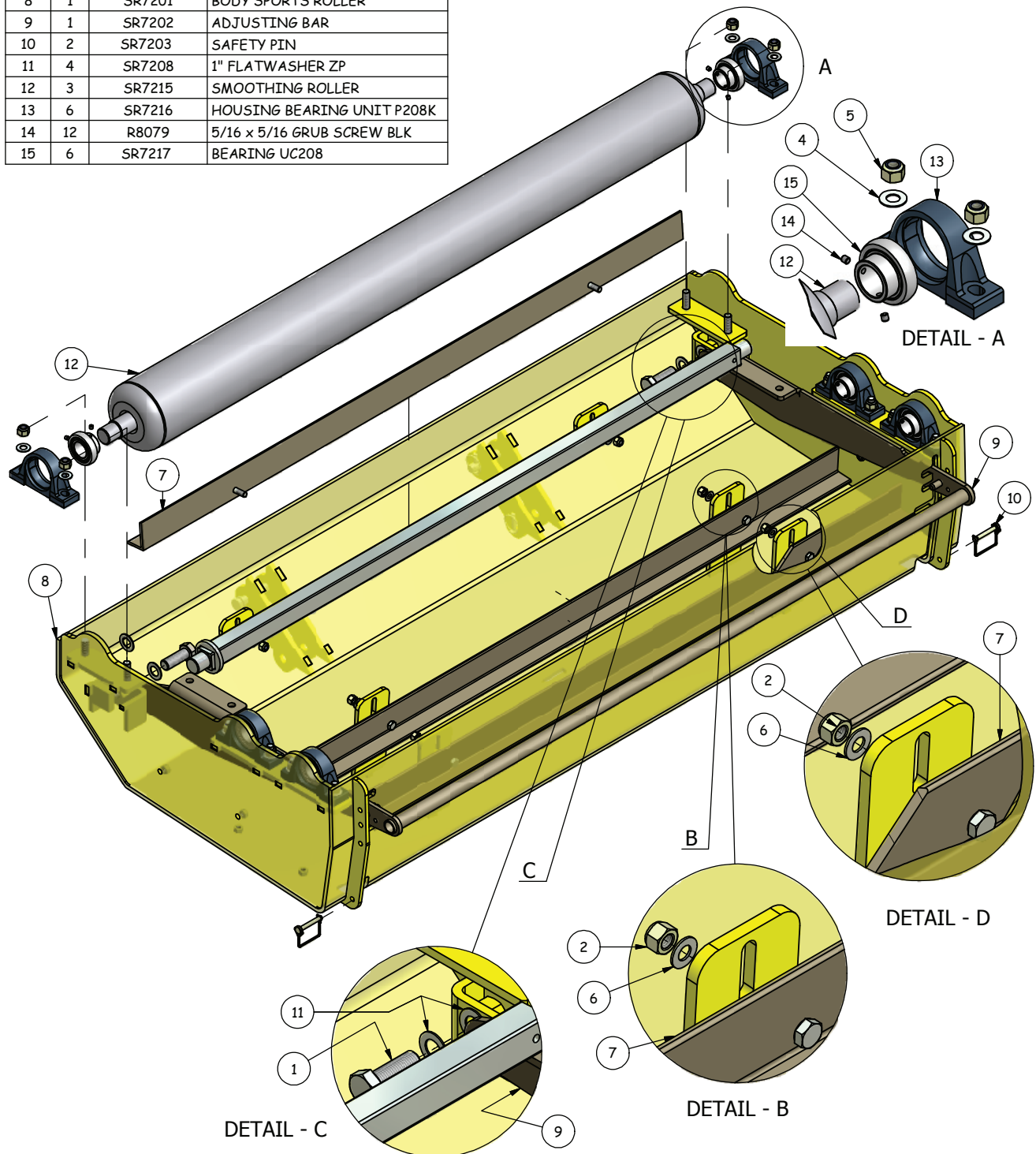
SR72 SPORTS ROLLER UPPER - PARTS LIST			
ITEM	QTY	STOCK NUMBER	TITLE
1	1	JD WEIGHT	JD WEIGHT 20Kg (44lb) R66949 - OPTIONAL
2	4	R8107	1/2 SPRING WASHER ZP
3	4	R8115	1/2 x 1 1/2 UNC BOLT ZP
4	1	SR7204	PLATE WEIGHT SUPPORT BRKT LH
5	2	SR7232	PLATE WEIGHT REST
6	1	SR7231	PLATE WEIGHT SUPPORT BRKT RH
7	1	SR7201	BODY SPORTS ROLLER
8	2	SR7203	SAFETY PIN
9	1	SR7210	TOP BRACKET
10	4	R8111	3/4 x 1 3/4 UNC BOLT
11	4	R8110	3/4" SPRING WASHER
12	7	SR7213	LINKAGE PIN
13	1	SR7214	ROLLER SUPPORT
14	1	SR7223	CHAIN 13 LINKS
15	7	SR7225	LYNCH PIN
16	2	R8066	3/8 x 3/4 UNF BOLT ZP
17	2	R8056	3/8 UNF NYLOC T-TYPE NUT

Roller Components

SR72 SPORTS ROLLER LOWER - PARTS LIST			
ITEM	QTY	STOCK NUMBER	TITLE
1	2	R8105	1 x 2 3/4 UNC BOLT ZP
2	6	R8060	1/2" UNC NYLOC NUT ZP
3	6	R8107	1/2 SPRING WASHER ZP
4	12	R8112	5/8 x 1.1/4 WASHER ZP
5	12	R8113	5/8 UNC NYLOC
6	6	R8167	M12 x 24x1.6 WASHER
7	3	SR034	ANGLE IRON SCRAPER
8	1	SR7201	BODY SPORTS ROLLER
9	1	SR7202	ADJUSTING BAR
10	2	SR7203	SAFETY PIN
11	4	SR7208	1" FLATWASHER ZP
12	3	SR7215	SMOOTHING ROLLER
13	6	SR7216	HOUSING BEARING UNIT P208K
14	12	R8079	5/16 x 5/16 GRUB SCREW BLK
15	6	SR7217	BEARING UC208

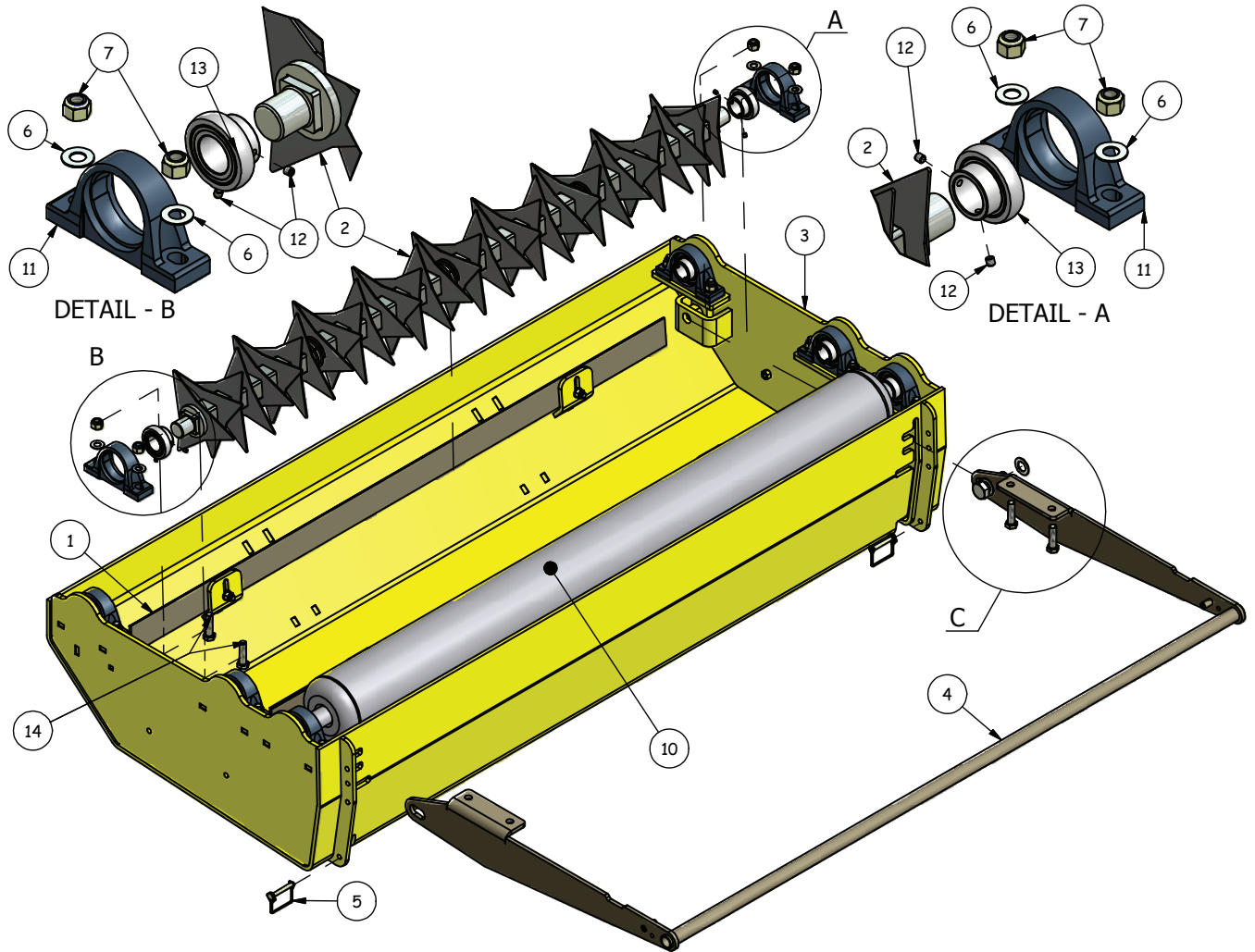
NOTE:

SPIKER ASSEMBLY & 2 SMOOTHING ROLLERS NOT SHOWN IN THIS VIEW TO PROVIDE A CLEAR VIEW OF THE SCRAPER ANGLES & THE SPIKER ENGAGING ARM.

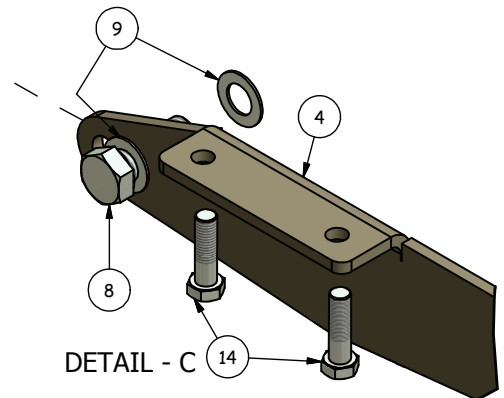


Roller Components

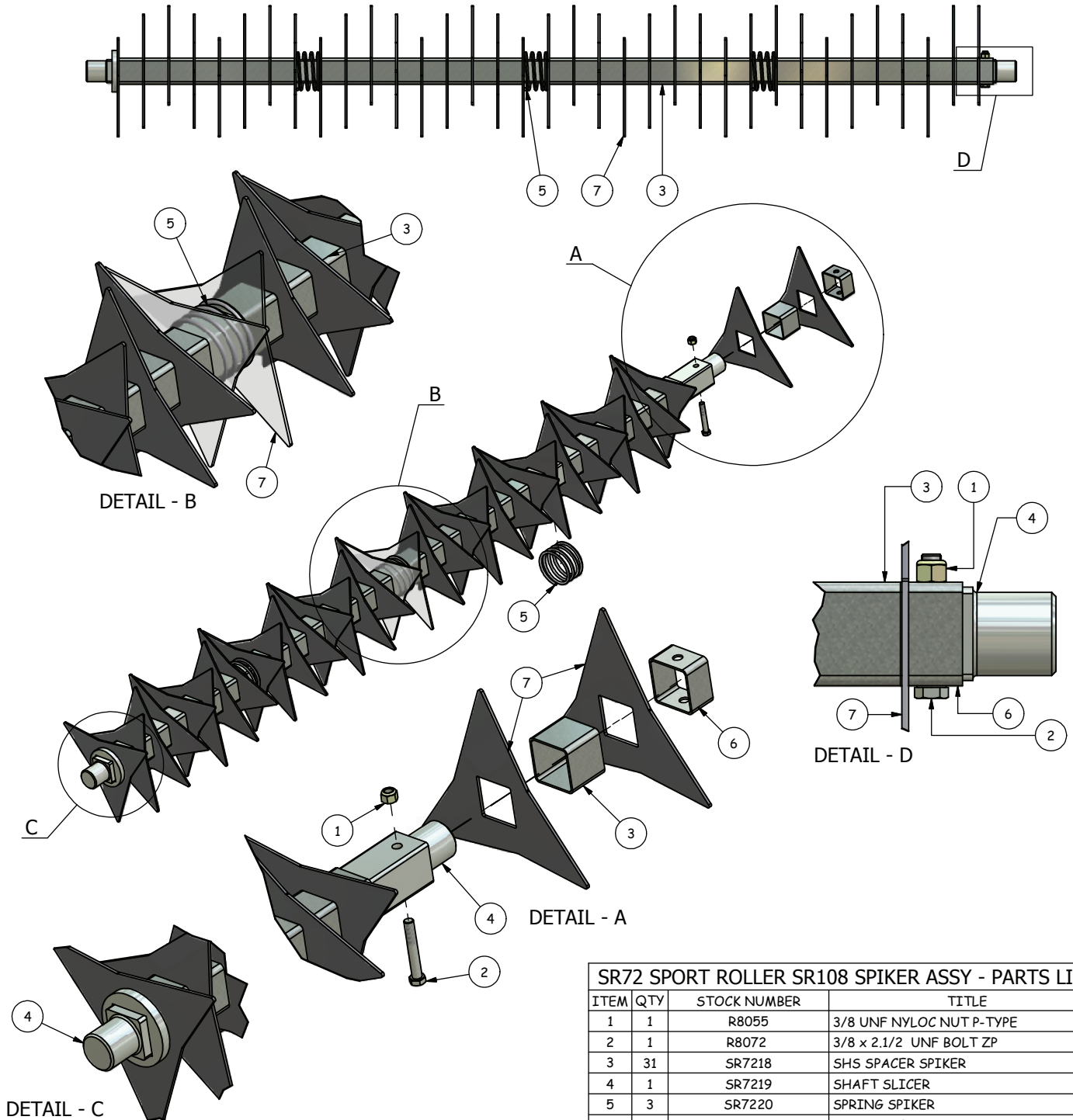
NOTE: 2 SMOOTHING ROLLERS NOT SHOWN IN THIS VIEW TO PROVIDE A CLEAR VIEW OF THE SCRAPER ANGLES & SPIKER ENGAGING ARM RELATED ITEMS.



SR72 SPORTS ROLLER LOWER SPIKER ASSY - PARTS LIST			
ITEM	QTY	STOCK NUMBER	TITLE
1	3	SR034	ANGLE IRON SCRAPER
2	1	SR108	SPIKER ASSY
3	1	SR7201	BODY SPORTS ROLLER
4	1	SR7202	ADJUSTING BAR
5	2	SR7203	SAFETY PIN
6	4	R8112	5/8 x 1.1/4 WASHER ZP
7	4	R8113	5/8 UNC NYLOC
8	2	R8105	1 x 2 3/4 UNC BOLT ZP
9	4	SR7208	1" FLATWASHER ZP
10	3	SR7215	SMOOTHING ROLLER
11	2	SR7216	HOUSING BEARING UNIT P208K
12	4	R8079	5/16 x 5/16 GRUB SCREW BLK
13	2	SR7217	BEARING UC208
14	4	R8114	5/8 x 2-1/4 UNC BOLT ZP



Roller Components



SR72 SPORT ROLLER SR108 SPIKER ASSY - PARTS LIST			
ITEM	QTY	STOCK NUMBER	TITLE
1	1	R8055	3/8 UNF NYLOC NUT P-TYPE
2	1	R8072	3/8 x 2.1/2 UNF BOLT ZP
3	31	SR7218	SHS SPACER SPIKER
4	1	SR7219	SHAFT SLICER
5	3	SR7220	SPRING SPIKER
6	1	SR7221	SHS SPACER LOCK
7	35	SR7224	PLATE SPIKER

Warranty Registration & Inspection Report

Any units not registered with Tru-Turf Pty. Ltd. are not eligible for warranty claims. This form must be filled out by the dealer and signed by both the dealer and the customer at the time of delivery. Please email, fax or mail signed and dated copy of the completed form to Tru-Turf Pty. Ltd.

Dealer Information

Dealer ID

Dealer

Contact

Email

Customer Information

Customer

Contact

Address

State

Zip/Postcode

Country

Email

Phone

Mark when completed

- | | |
|---|---|
| <input type="checkbox"/> Red Cap on Oil Tank has been removed and replaced by the Black Breather Cap. | <input type="checkbox"/> Sprockets for Transmission and Drive Roller are tight. |
| <input type="checkbox"/> Transmission Oil checked at correct level. | <input type="checkbox"/> Trailer Arm Pivot Bushes have been greased. |
| <input type="checkbox"/> Engine Oil checked at correct level. | <input type="checkbox"/> "Important Notice" regarding the correct oils to be used in the Transmission has been read and complied with. |
| <input type="checkbox"/> Tire pressures checked to a maximum 18psi (124kPa). | <input type="checkbox"/> All Safety Decals have been installed and are legible. Operating and Safety Instructions have been read and understood. |
| <input type="checkbox"/> Drive Chain lubricated with a water-displacing solvent (WD40, CRC etc.). | <input type="checkbox"/> Transmission Guard is in place and secured. |
| <input type="checkbox"/> Drive Chain tension is correct. | <input type="checkbox"/> Seat, Joystick, Trailer Arms, Dampener Struts, Drawbar, Wheels and Tires are correctly assembled, installed and secured. |
| <input type="checkbox"/> Nuts, Bolts, Grub Screws are tightened. | |
| <input type="checkbox"/> Bearings have been lubricated and rotate freely. | |

Inspection Report & Safety Check

Model No.

Serial No.

Delivery Date

- The above equipment and operator's manual have been received by the buyer and they have been thoroughly instructed as to care, adjustments, safe operation and applicable warranty policy.

Submit Claim Form

Forms

Warranty Claim Form

Dealer Information

Dealer ID	Dealer
Contact	Email

Customer Information

Customer	Contact
Address	State
Zip/Postcode	Country
Email	Phone

Machine Information

Model No.	Serial No.	Hour Meter Reading	Job/Repair Order Number
Unit Failure Date	Repair Start Date	Repair Completion Date	Hours spent on repair

Issue Details

Describe the complaint, cause and corrective action

Cause of issue Type of issue

Manufacturer's parts used

Quantity	Part No.	Description	Price	Sub-Total
<input type="text"/>	<input type="text"/>	<input type="text"/>	<input type="text"/>	\$ <input type="text"/>
Add Part				Total \$ <input type="text"/>

Additional Parts and Charge

Quantity	Part No.	Description	Price	Sub-Total
<input type="text"/>	<input type="text"/>	<input type="text"/>	<input type="text"/>	\$ <input type="text"/>
Add Part				Total \$ <input type="text"/>

Labour Charges

Hours	Description	Rate / Hour	Sub-Total
<input type="text"/>	<input type="text"/>	<input type="text"/>	\$ <input type="text"/>
Add Item			Total \$ <input type="text"/>
			Claim Total \$ <input type="text"/>

Submit Claim Form

Notes & Bulletins